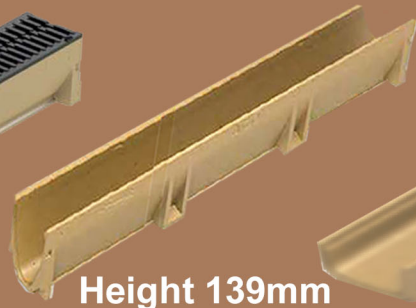
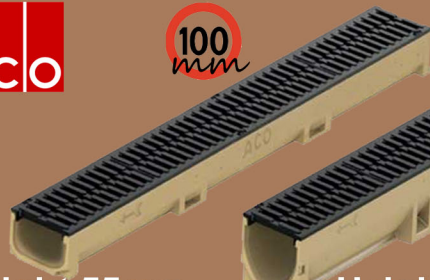


ACO EUROLINE CHANNELS

Polymer Concrete Channels



100 mm



150 mm

Height 55mm

Height 97mm

Height 139mm

Height 80mm

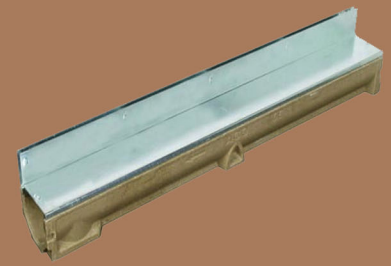
WIDE RANGE OF PRODUCT FOR DRAINAGE APPLICATION

Since 2006 in India



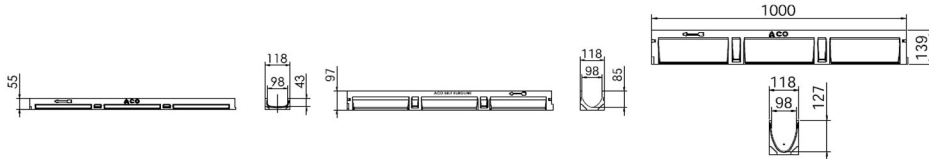
Brick Slot Grating Available
* Single & Double Slot

NEW



Euroline 100 channel body

Length 1000 mm, width 118 mm



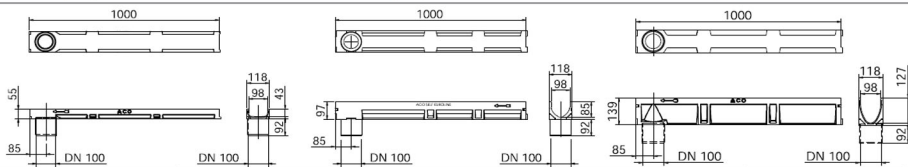
Length [mm]	Width overall [mm]	Depth overall [mm]	Weight [kg/pc]	Pieces per packaging	Code
1000	118	55	5,20	60	810000
1000	118	97	6,70	60	38500
1000	118	139	10,20	30	810008

Standard channel body

1000	118	55	5,20	60	810000
1000	118	97	6,70	60	38500
1000	118	139	10,20	30	810008

Euroline 100 channel body with DN 100 outlet pipe

Length 1000 mm, width 118 mm



Length [mm]	Width overall [mm]	Depth overall [mm]	Weight [kg/pc]	Pieces per packaging unit	Code
1000	118	55	5,20	16	810010
1000	118	97	6,70	12	38501
1000	118	139	10,20	8	810018

With precast DN 100 outlet pipe

1000	118	55	5,20	16	810010
1000	118	97	6,70	12	38501
1000	118	139	10,20	8	810018

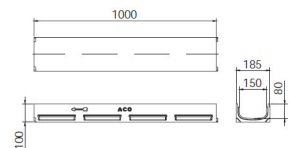


Euroline 100 Accessories

Image	Description	Type	Size	Art No
	Euroline End Cap		55mm	810200
			97mm	38504
			139mm	810202
	End Cap with DN 100 Outlet		60mm 55mm	810201
			110mm 97mm	38505
			110mm 139mm	810203
	Step Connector		55-97	810204
			97-139	810205

ACO Euroline 150mm
(Height : 80mm)

ART No: 850000



Art No: 85010

DN 150



Applications

* Basement Parking * Enternance
* Podium * Gallery * Swimingpool

Contact: 9824018996